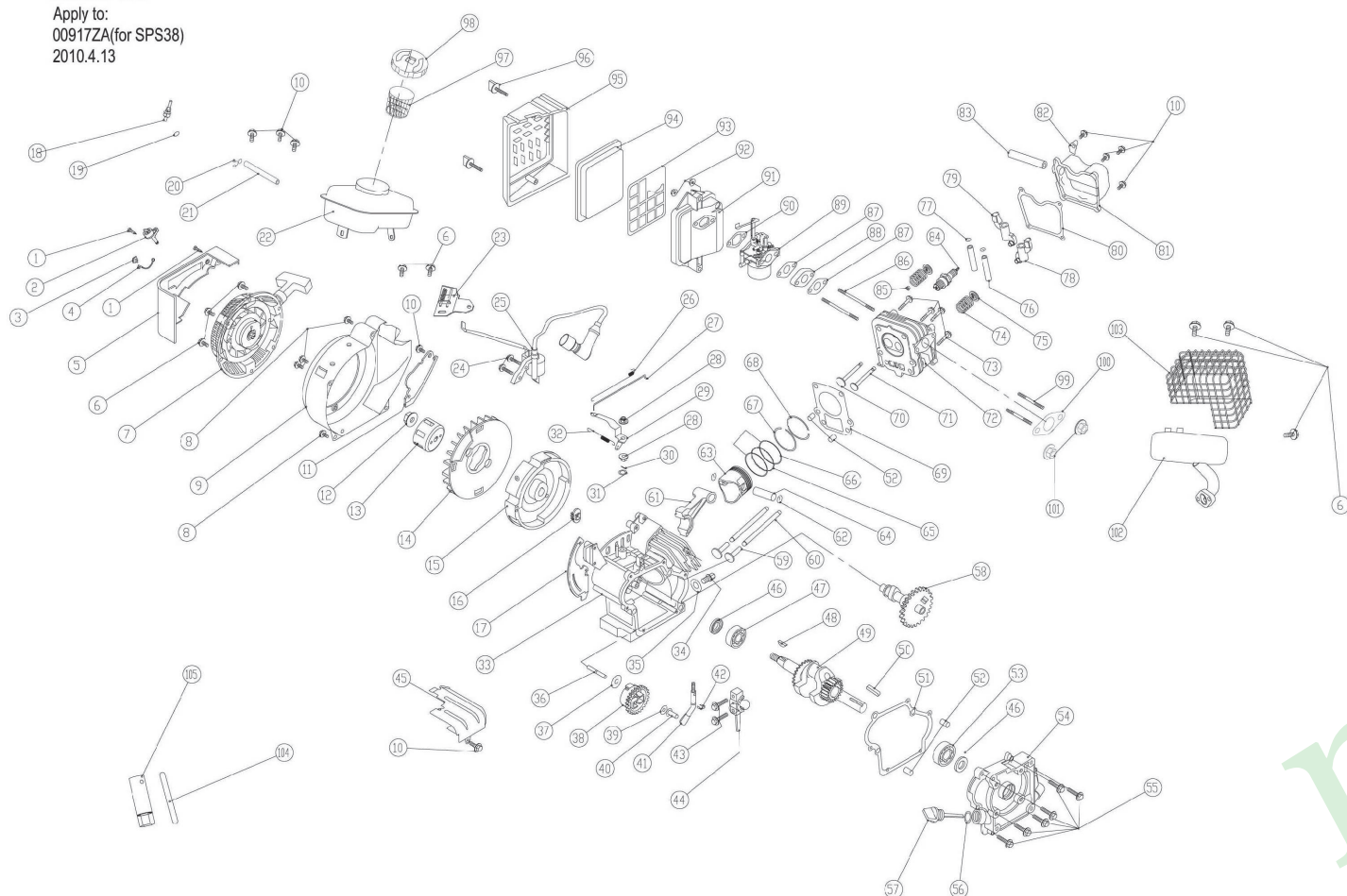


**Spare Parts list**  
**Petrol Scarifier----SPS38**  
**Version: 1.0**

POS	NR	Bezeichnung
1	904233PWARMREDC	trigger
2	904222	upper handle
3	904505	control cable
4	430225	stop block
5	B124005	Hexagon head bolts M6X30
6	B124006	Hexagon head bolts M6X40
7	B217004	Prevailing torque type hexagon nuts M6
8	401009PWARMREDC	knob
9	B103001	Cup head square neck bolts M6X35
10	904221	lower handle
11	904227	starter hook
12	00917ZA	engine assy
13	904202	lining panel
14	904902Pfd	grass bag
15	904005PWARMREDC	sheel cover
16	B217005	Prevailing torque type hexagon nuts M8
17	B501008	Plain washers 8
18	904237	washer $\Phi 40 \times \Phi 23 \times 2$
19	428017	Wheel
20	428601D	stamping bearing
21	904226	washer
22	904233	dirve pulley
23	B304008	Hexagon socket head cap screws M8X16
24	904213	belt pin
25	904249	flat key 35X5X5
26	B519005	Single coil spring lock washers, Light type 8
27	904225	engine spacer
28	904003	rear guard
29	904501	left spring
30	904502	right spring
31	904217	guard shaft
32	904234	Tension shaft
33	B125007	Hexagon head bolts M6X20
34	904001	right support plate
35	904008	right cover-big one
36	904216	rear shaft
37	904009	right cover-small one
38	B400023F	Cross recessed pan head tapping screws ST4.2X13
39	904210	washer
40	904201GP430C	deck
41	904219	clap plate
42	B125004	Hexagon head bolts M8X16
43	904010	Left Cover-big one
44	904011	Left Cover-small one
45	904212	fixed shaft
46	904002	left support plate
47	904903	belt
48	904004	belt cover
49	B125001	Hexagon head bolts M6X10
50	904503	tension spring
51	904206G	fixing plate

52	304024	hexagon head bolt M6X25
53	904203	tension pulley frame
54	904230	bush
55	904228	pulley plate
56	904229	spacer 2
57	904601	ball bearing 6203-2RS
58	904231	tension pulley spacer
59	904220	tension pulley
60	B125009	Hexagon head bolts M8X35
61	904208	washer
62	B124007	Hexagon head bolts M6X60
63	904232	driven pulley
64	B304024	Hexagon socket head cap screws M6X25
65	904006	bearing base
66	904602	ball bearing 6202-2RS
67	B218012	Prevailing torque type hexagon nuts M18
68	904209	washer (Φ32XΦ18X3)
69	904013	dust cover
70	904214	blade shaft
71	904218	blade
72	904007	blade spacer
73	B282011	"E" rings 9
74	904215	front wheel shaft assy
75	B235001	Prevailing torque type hexagon nuts with flange M6
76	428038PWARMREDC	height adjusting handle
77	B519004	Single coil spring lock washers 6
78	B501007	Plain washers 6
79	904204PWARMREDC	lock hook
80	904504	lock hook spring
81	904015PWARMREDC	lock hook trigger
82	B569003	Spring-type straight pins 3X15
83	904211	clamp
84	904205	washer
85	B103002	Cup head square neck bolts M6X45
86	904901	tesnion cable sets
87	B400022F	Cross recessed pan head tapping screws ST4.2X9.5
88	904014	block
89	904224	grass bag frame
90	428019	Inner shroud
91	904300	soft grip
92	904016	funnel
93	917248	spark plug socket
94	917247	spark plug socket wrench
95	904905	grass bag assy

Model: SP154F  
 Apply to:  
 00917ZA(for SPS38)  
 2010.4.13



Pos.	Part code	Bezeichnung
1	B400022FW010	cross head screw ST4.2x9.5
2	917200	fuel lock
3	917010	switch
4	917700	flameout wire
5	917001	panel
6	B131006W010	hexagon bolt with flang M6X10
7	917201	starter assy
8	B131004W010	hexagon bolt with flang M6X14
9	917250	housing
10	B131001W010	hexagon bolt with flang M6X12
11	917203	front deflector plate
12	B235005W010	hexagon flange nut M12
13	917204	starting bowl
14	917002	fan
15	917205	flywheel
16	917003	wire frame
17	917206	rear deflector plate
18	917207	fuel nozzle
19	B701649W010	"o" ring $\Phi$ 6.7X1.9
20	917208	fuel pipe clip
21	917301	fuel pipe
22	917243	fuel tank
23	917210	governor base
24	B131007W010	hexagon bolt with flang M6X21

25	917701	Ignition coil
26	917500	carbretor spring
27	917211	carbretor lever
28	B228001W010	hexagon flange nutM6
29	917212	governor arm
30	917501	spring pin
31	917213	flat washer $\Phi 8 \times \Phi 13 \times 0.5$
32	917502	governor spring
33	917106	crankcase
34	917214	oil drain bolt M10X16
35	917215	flat washer
36	917216	governor gear shaft
37	917218	flat washer $\Phi 6 \times \Phi 18 \times 1.5$
38	917004	governor gear
39	917219	antifriction washer
40	917005	sleeve
41	917220	governor lever
42	B282007W010	ring opening
43	917221	connecting rod Bolt M6X29
44	917101	connecting rod cover
45	917222	windshield
46	917303	oil seal $\Phi 17 \times \Phi 30 \times 6$
47	B700420W010	ball bearing 6203
48	B701405W010	woodruff key 5X5X3.5
49	917244	crankshaft assy
50	B701001W010	flat key 5X5X35.5
51	917908	crankcase gasket
52	917224	locating pin
53	B700451W010	ball bearing 6303
54	917102	crankcase cover
55	B131008W010	hexagon bolt with flang M6X25
56	B701650W010	"O" ring $\Phi 18 \times 2.3$
57	917012	dip stick cover
58	917225	Camshaft
59	917226	valve lifter
60	917227	push rod
61	917103	connecting rod
62	917503	piston pin clip
63	917228	piston
64	917229	piston pin $\Phi 8 \times 14$
65	917230	expende
66	917231	scraper ring
67	917232	piston ring sets1
68	917233	piston ring sets2
69	917304	cylinder head gasket
70	917234	intake valve
71	917235	exhaust valve
72	917249	cylinder head assy
73	B131009W010	hexagon bolt with flang M8X55
74	917504	valve spring
75	917237	valve spring retainer
76	917238	rocker arm shaft
77	B276003W010	rocker arm clip

78	917104	exhaust rocker arm
79	917105	intake rocker arm
80	917900	cylinder head cover gasket
81	917245	cylinder head cover
82	917240	crimp terminal
83	917305	breather tube
84	917703	spark plug(NHSP E7RTC)
85	917306	intake valve oil seal
86	B173003W010	stud bolt M6X90
87	917901	carburetor gasket gasket
88	917007	Intake pipe insulation
89	917902	carburetor (RUIXING)
90	917910	air cleaner base gasket
91	917008	air cleaner base
92	B235001W010	hexagon flange nutM6
93	917009	cage
94	917903	air filter
95	917011	air filter cover
96	917909	knob bolt
97	917905	fuel filter
98	917906	fuel tank cap
99	B173004W010	stud bolt M8X38
100	917907	muffler gasket
101	B228003W010	hexagon flange nut M8
102	917241	muffler
103	917246	muffler guard
104	917247	spark plug socket wrench
105	917248	spark plug socket